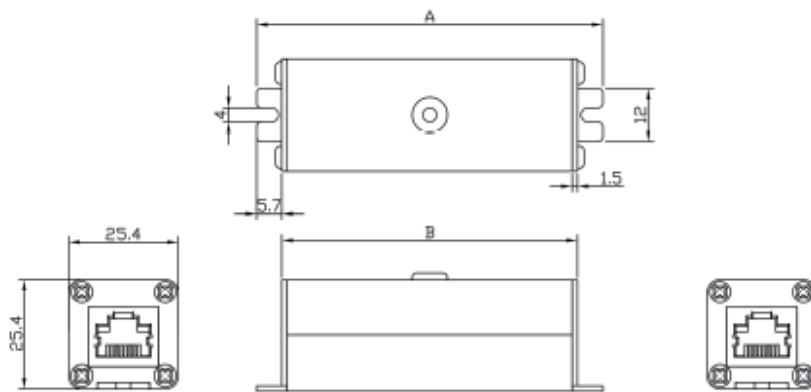


# Surge Protector

## Product Feature

- Shielded RJ45 jack and metal housing for EMI noise suppression
- CAT5/CAT5e compatible
- Gigabit Ethernet available
- Cast aluminum construction
- Integrated mounting brackets
- DIN rail mount available (Option Kit)
- 802.3at compliant



Ground Lug wire 14 AWG 275 mm +/- 5mm

A=95mm, B=83mm

*Your Success is Our Vision*

## Specifications

Model Number	HMS07003
Dimensions	Include bracket: 95 x 25.4 x 25.4 mm ( 3.74 x 1 x 1" ) Main body: 83 x 25.4 x 25.4 mm ( 3.27 x 1 x 1" ) 80 g ( 0.17 lbs ) 14 AWG 275 mm +/- 5 mm Data 5V PoE 48V 70V 5KA (8/20uS) 100A (10/100uS) Differential & Common mode > 1000M Ohm < 25pF 10/100/1000 Mbps* < 650V < 5nS -40°C~ +85°C (-40°F to +185°F) -40°C~ +85°C (-40°F to +185°F) 0~95% non condensing
Weight	
Ground Lug wire	
Operating Voltage	
Clamping Voltage	
Max. Surge Discharge Current	
Peak Pulse Current	
Protection Mode	
Insulation Impedance	
Max. Shut Capacitance	
Data Rate	
Impulse protected Voltage	
Response Time	
Operating Temperature	
Storage Temperature	
Operating Humidify	

1. Suit for PoE over Pin 1,2,3,6 (MODE A) or 4,5,7,8 (MODE B)
2. Data rate with CAT5e is 992M, with CAT6 is 1000M
3. RJ45s shield connected to enclosure, Grounding wire connected to enclosure